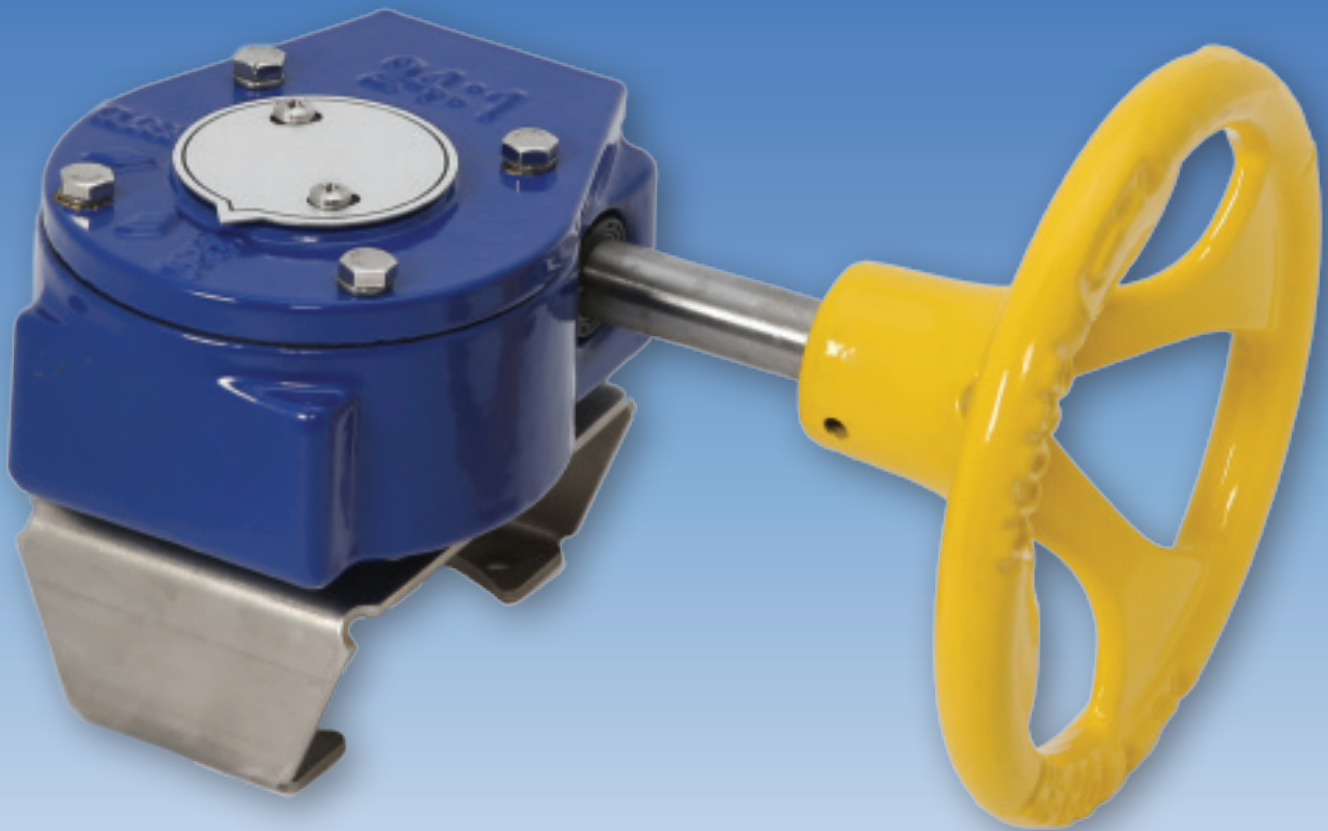
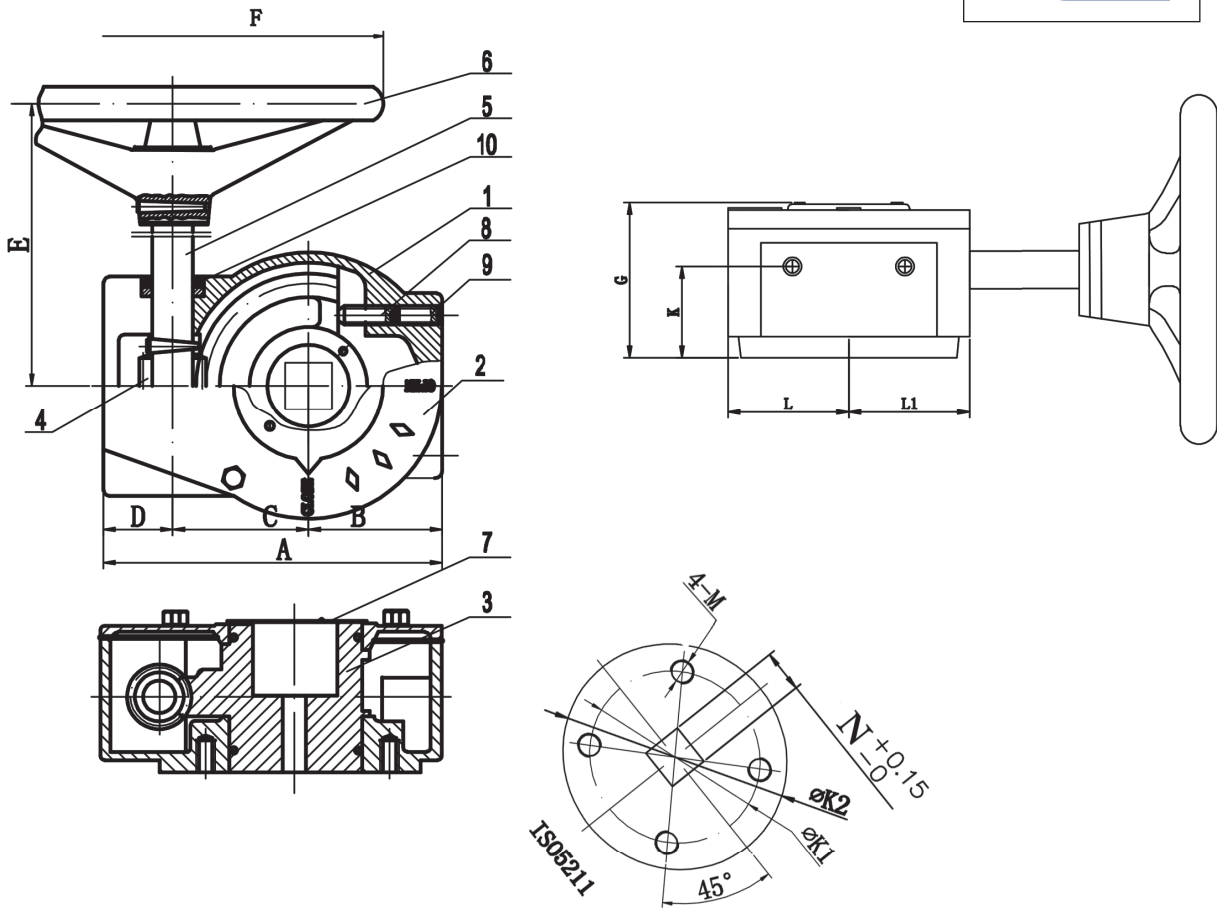


Chicago Valves & Controls



CGO

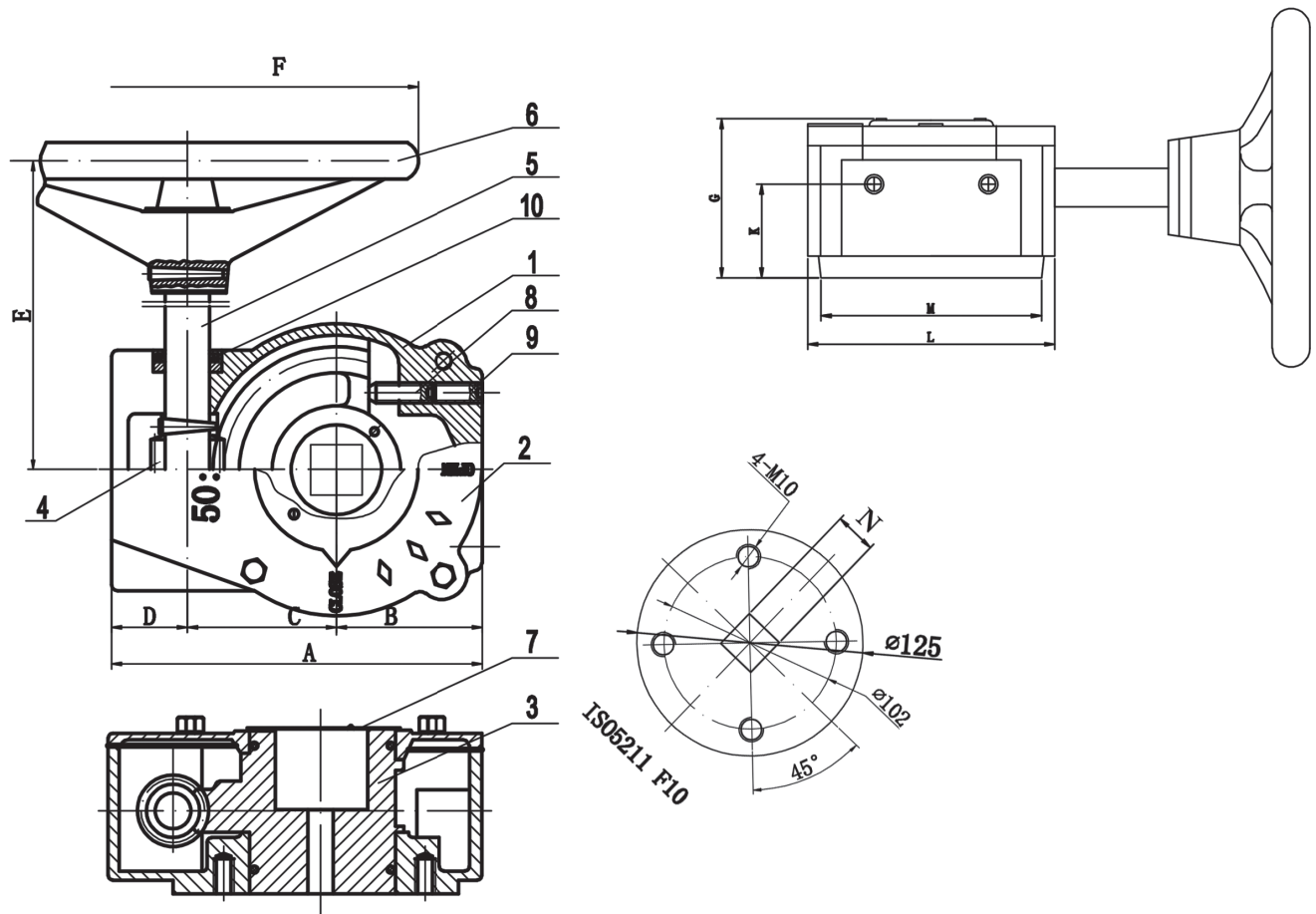
GEAR OPERATOR



PARTS & MATERIAL

PART NO.	PART NAME	QTY.	MATERIAL
1	Body	1	Cast Iron ASTM A126 Class B
2	Body Cover	1	Cast Iron ASTM A126 Class B
3	Worm Gear	1	Cast Iron
4	Worm	1	Steel #45
5	Shaft	1	Stainless Steel 410
6	Hand Wheel	1	Cast Iron ASTM A126 Class B
7	Indicator	1	Aluminum
8	Adjusting Screw	1	Steel #45
9	Locking Screw	2	Steel #45
10	O-Ring	1	NBR

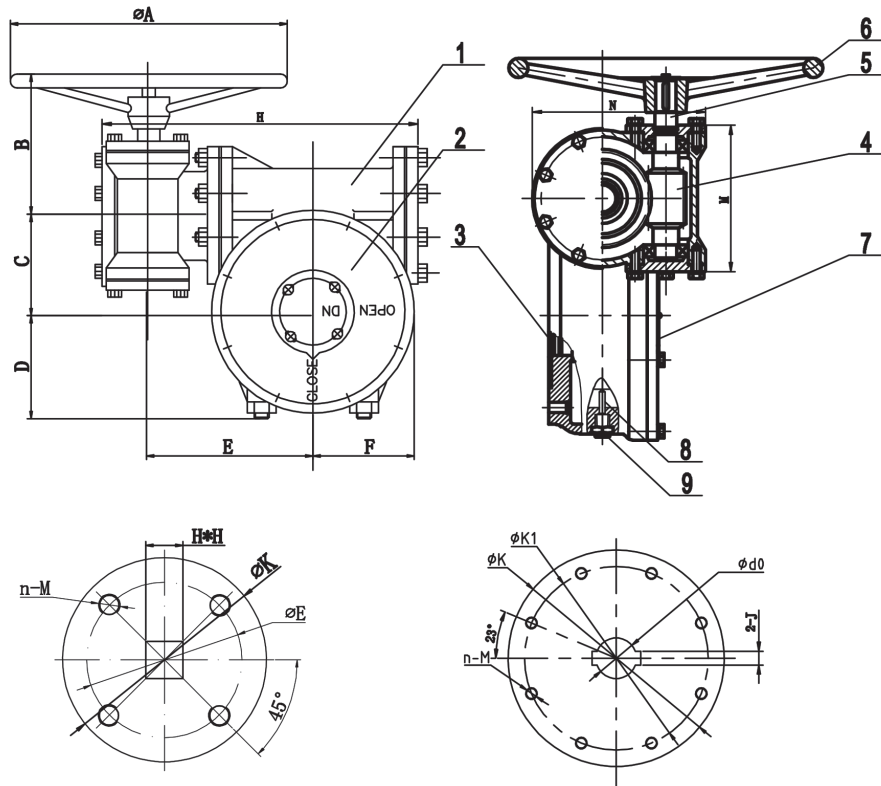
SIZE	Ratio	A	B	C	D	E	F	G	K	L	L1	ISO 5211	K1	K2	M	N	Output Torque (In-Lbs)	Number of turns to close	Weight (Lbs)
CGO 1.5	24:1	4.92	1.97	1.77	1.18	6.14	5.90	2.83	1.69	2.05	2.05	F05	1.97	2.56	M6	0.55	1325	6	8.5
CGO 1.7	24:1	4.92	1.97	1.77	1.18	6.14	5.90	2.83	1.69	2.05	2.05	F07	2.76	3.54	M8	0.55	1325	6	8.5
CGO 5	30:1	6.69	2.80	2.60	1.30	8.66	10.63	3.35	1.77	2.87	2.87	F10	4.02	4.92	M10	0.86	4425	7.5	18



PARTS & MATERIAL

PART NO.	PART NAME	QTY.	MATERIAL
1	Body	1	Cast Iron ASTM A126 Class B
2	Body Cover	1	Cast Iron ASTM A126 Class B
3	Worm Gear	1	Cast Iron GGG40
4	Worm	1	Steel #45
5	Shaft	1	Stainless Steel 410
6	Hand Wheel	1	Cast Iron ASTM A126 Class B
7	Indicator	1	Aluminum
8	Adjusting Screw	1	Steel #45
9	Locking Screw	2	Steel #45
10	O-Ring	1	NBR

SIZE	Ratio	A	B	C	D	E	F	G	K	L	M	N	Output Torque (In-Lbs)	Number of turns to close	Weight (Lbs)
CGO 12	50:1	7.28	2.95	3.05	32.5	8.86	10.63	3.23	1.77	6.10	5.51	0.886	10620	12.5	27



PARTS & MATERIAL

PART NO.	PART NAME	QTY.	MATERIAL
1	Body	1	Cast Iron ASTM A126 Class B
2	Body Cover	1	Cast Iron ASTM A126 Class B
3	Worm Gear	1	Cast Iron GGG40
4	Worm	1	Steel #45
5	Shaft	1	Stainless Steel 410
6	Hand Wheel	1	Cast Iron ASTM A126 Class B
7	Indicator	1	Aluminum
8	Adjusting Screw	1	Steel #45
9	Locking Screw	2	Steel #45

SIZE	Ratio	Ø A	B	C	D	E	F	G	M	N	ISO 5211	K	K1	n-M	H*H	2-J	d0 ^{+0.05} / _{+0.12}	Output Torque (N,m)	Number of turns to close	Weight (Lbs)
CGO 25	532:1	11.81	6.50	4.09	4.33	6.39	3.94	5.31	6.69	7.28	F14	6.89	5.51	4-M16	1.42	--	1.619/1.8	22120 In-Lbs	133	57
CGO 40	640:1	15.35	6.50	5.12	5.31	7.76	5.71	5.51	6.69	7.28	F16	8.27	6.50	4-M20	1.42	--	1.99/2.125	35400 In-Lbs	160	102
CGO 80	704:1	16.73	7.87	6.36	6.89	9.84	6.69	6.18	7.68	9.25	F25	11.81	10.00	8-M16	--	0.709	2.49	70800 In-Lbs	176	143
CGO 150	832:1	16.73	8.27	6.69	6.69	9.84	6.69	6.18	7.68	9.25	F25	11.81	10.00	8-M16	--	0.866	3.35	132760 In-Lbs	208	188

Toll-Free (833) 831-2312
 Local (312) 637-3557
 Fax: (312) 637-3543
 E-Mail: sales@chicagovalves.com
 www.chicagovalves.com
 885 Cambridge Dr.
 Elk Grove Village, Illinois 60007 U.S.A.